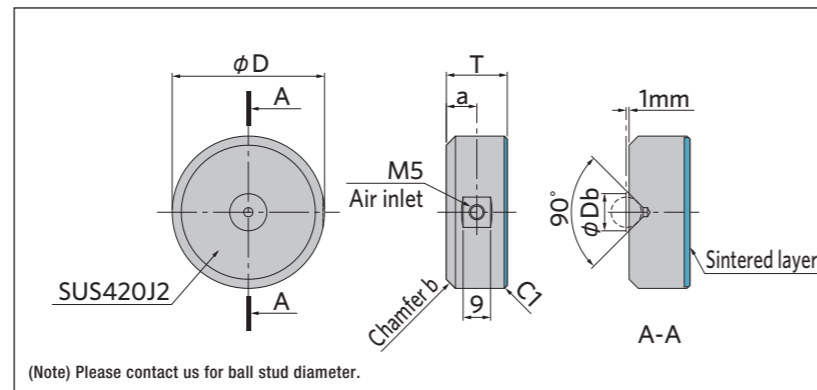


OILES Air Bearing Pad type (APD series)

Made-to-order RoHS2 ELV



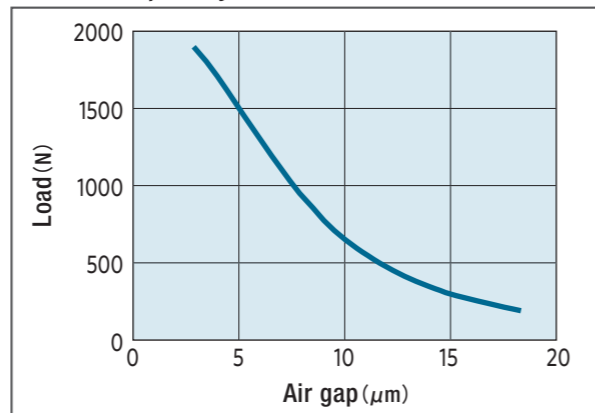
| Part No. | O.D. ϕD (mm) | Thickness T(mm) | Air inlet position a(mm) | Chamfer b | Ball stud receiving hole diameter ϕDb (mm) | Weight(g) |
|-------------|--------------------|-----------------|--------------------------|-----------|--|-----------|
| APD - 5015 | 50 | 15 | 7.5 | C2 | 9.3 | 220 |
| APD - 6520 | 65 | 20 | 10 | C5 | 12.2 | 480 |
| APD - 8020 | 80 | 20 | 10 | C5 | 12.2 | 730 |
| APD - 10025 | 100 | 25 | 12.5 | C5 | 15.0 | 1460 |
| APD - 12530 | 125 | 30 | 15 | C5 | 17.8 | 2720 |
| APD - 15030 | 150 | 30 | 15 | C5 | 17.8 | 3920 |

※ custom dimensions are available. Please contact our sales office for details.

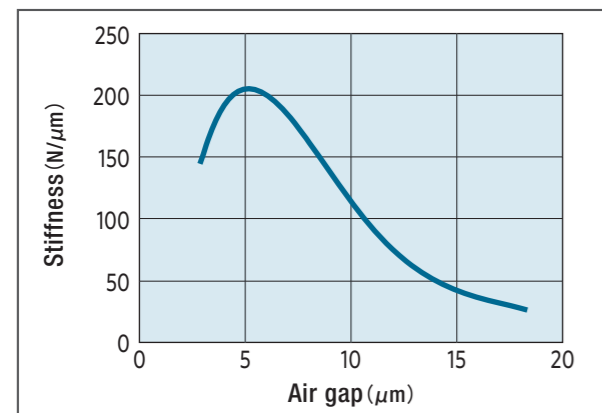
Typical performance of Oiles air pad

Product : APD-8020
Supply air pressure : 0.5MPa

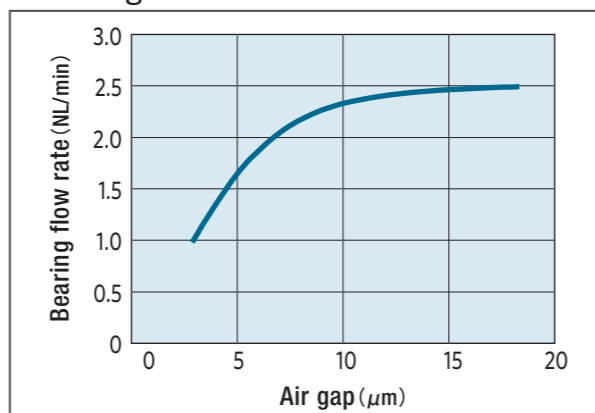
Load capacity



Stiffness



Bearing flow rate



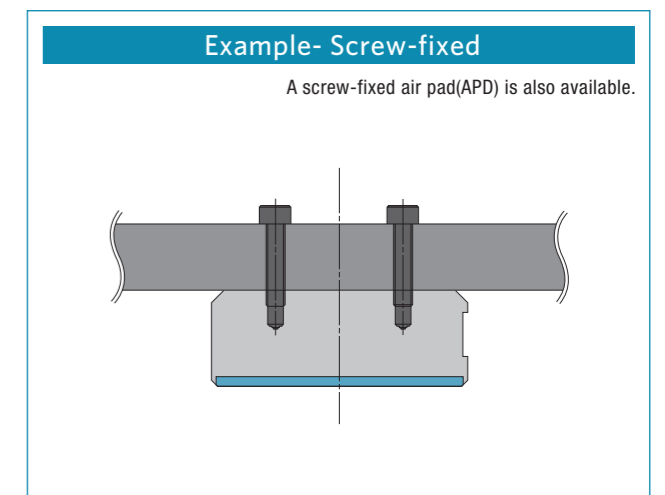
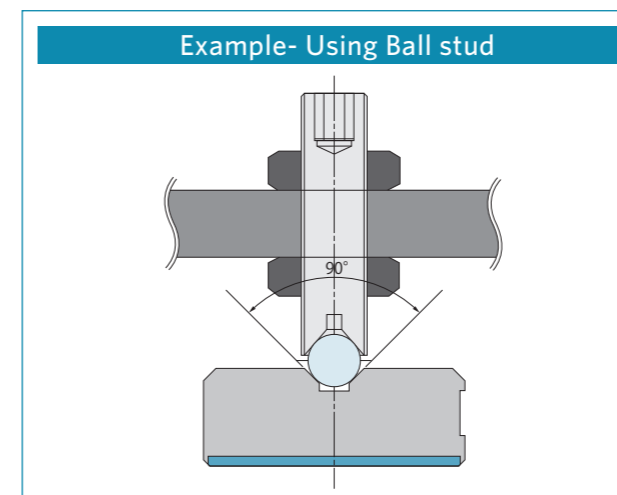
Performance of APD when the supply pressure 0.5MPa, air gap 6 μm

| Part No. | Load capacity(N) ^{※1} | Stiffness (N/ μm) ^{※2} | Bearing flow rate (NL/min) ^{※3} |
|-------------|--------------------------------|---------------------------------------|--|
| APD - 5015 | 390 | 60 | 2.0 |
| APD - 6520 | 780 | 100 | 2.0 |
| APD - 8020 | 1200 | 150 | 2.5 |
| APD - 10025 | 1900 | 240 | 3.5 |
| APD - 12530 | 3330 | 300 | 4.0 |
| APD - 15030 | 5000 | 460 | 4.0 |

※ The value shown above are typical values.

- ※ 1) Load capacity- In example, APD-8020 can receive a load of 1,200N or more when the air gap is 6 μm .
- ※ 2) Stiffness- In example, APD-8020 has a rigidity of 150N/ μm or more when the air gap is 6 μm .
- ※ 3) Bearing flow rate- In example, APD-8020 has a flow rate of 2.5NL/min or less when the air gap is 6 μm .

How to use the mounting holes on the back of the air pad



Please contact our sales office for details.

Customize

Plate-type Oiles air bearings can be customized in shape to meet various uses and purposes. It is also possible to change the air gap and flow rate according to the application. Please contact our sale office for details.